

# Simple Heating Element

## Installation & Safety Information

### Installation Guide

#### **Contents**

Safety & General Information **Page - 2**

Installation **Page - 3**

Product Information **Page - 4**

Aftercare & Recycling Page - 5

Your Guarantee **Page - 5**

# Safety & General Information

---

## *Please read carefully...*

- ✓ This product is only suitable for use in liquid filled radiators.
- ✓ Ensure the heating element is fully submerged in the liquid before operation.
- ✗ Do not throw away packaging until you have located and confirmed that you have all included parts and the product is in good condition.
- ✓ Check the device for damage before installation and on a regular basis.
- ✓ If any damaged is found on the device it should not be used, if any damage is caused once installed the device should be switched off or disconnected immediately.
- ✓ Check the fluid level in the radiator regularly, the element should be fully submerged at all times.
- ✗ Do not let children operate the device without supervision of an adult.
- ✓ Keep the power cord away from any hot surfaces of the radiator.
- ✗ This element has no serviceable parts, never dismantle the element as this will invalidate the warranty and could lead to injury.

# Installation

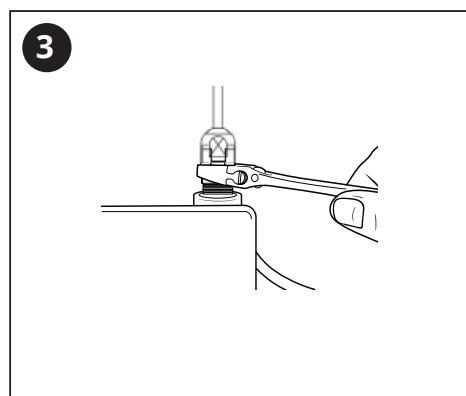
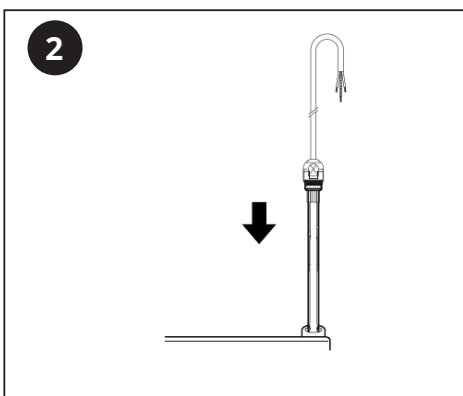
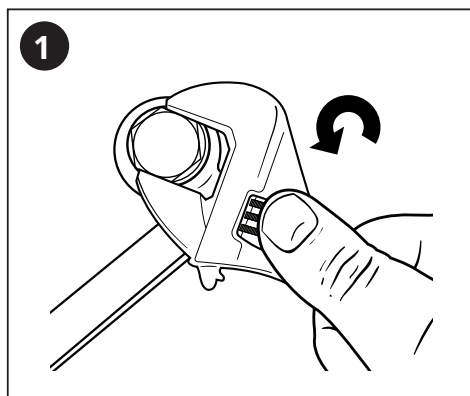
## Tools required for installing:



## Installation Safety Information

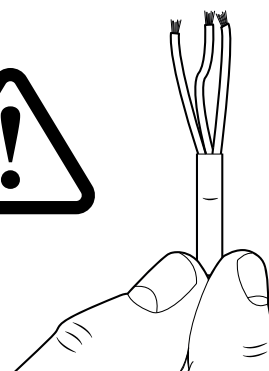
- ✓ Always disconnect the power before installing or removing the element.
- ✓ This element must be installed by a qualified or fully competent person.
- ✓ The element should only be be connected to a power outlet in good condition.
- ✓ local electrical regulations must be adhered to when installing the element.
- ✓ Please pay attention to the safety zones if installing in a bathroom.

## Element Installation



## Electrical Installation

- a. Brown wire — live connection to the circuit (L).
- b. Blue wire — connect to neutral (N)
- c. Yellow & green wire — earth connection (PE).



# Product Information

---

Power: 230 VAC

Insulation class: I

Ingress protection: IP67

Connection Type:

Cable without plug permanent connection to the electrical supply via a fused spur that conforms to all local electrical requirements.

Wattage to 60°:

400W - 325\* $\varnothing$ 11mm

600W - 450\* $\varnothing$ 11mm

800W - 535\* $\varnothing$ 11mm

1000W - 675\* $\varnothing$ 11mm

1200W - 795\* $\varnothing$ 11mm

1500W - 940\* $\varnothing$ 11mm

Removal:

Should you need to remove the element ensure the radiator is cooled and drained of liquid and the valves are closed.

Always disconnect the mains power.

## Aftercare

---

Clean any marks with a soft dry or damp cloth, for stubborn stains please clean with mild soapy water and dry with a soft cloth. DO NOT use abrasive or acidic cleaners, if you are unsure, please contact us first.

## Your Guarantee

---

- This product is covered by a 2 year guarantee.
- The guarantee starts from the date of purchase.
- The guarantee covers you against issues caused as a result of manufacturing related issues, it does not apply to issues that are found to be a result of poor installation.
- Labour costs for installation of the product are not covered under this warranty.

## Recycling and Disposal

---

Please recycle the packaging in accordance with your local government regulations on waste handling, and follow the same advice at the end of the products life. Do not recycle the element in your general waste.

Product - Aluminum.

Packaging - Cardboard, plastic.

## Contact us

---

Unit 1 & 2 Dawson Ct

Burnley

Lancashire

BB11 5UB