

# WIFI Thermostat Installation

## Installation Guide

### **Contents**

Safety & General Information **Page - 2**

Installation **Page - 2/3**

Product Information **Page - 4**

Aftercare & Recycling Page - 4

Your Guarantee **Page - 4**

# Safety & General Information

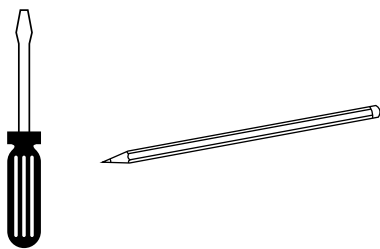
---

## *Please read carefully...*

- ✓ This product is only suitable for use electric radiators and underfloor heating up to 16 Amp.
- ✗ Do not throw away packaging until you have located and confirmed that you have all included parts and the product is in good condition.
- ✓ Check the device for damage before installation.
- ✗ If the device is found to be damaged it should not be used.
- ✗ Do not let children operate the device without supervision of an adult.
- ✗ This thermostat has no serviceable parts, never dismantle the element as this will invalidate the warranty and could lead to injury.

## Installation

### *Tools required for installing:*



## Installation Safety Information

- ✓ Always disconnect the power before installing or removing the thermostat. This
- ✓ The thermostat must be installed by a qualified or fully competent person.
- ✓ The thermostat should only be connected to a power outlet in good condition.
- ✓ All local electrical regulations must be adhered to when installing the thermostat.

# Thermostat Installation

1

2

3

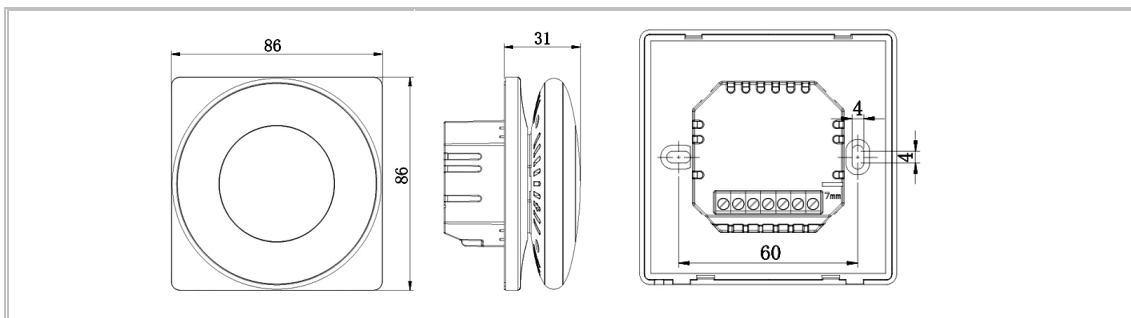
4

5

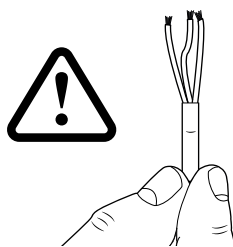
6



## Dimension (mm)



## Electrical Installation



~~XXXXXXXXXX~~  
~~XXXXXXXXXX~~  
~~XXXXXXXXXX~~ RG  
~~XXXXXXXXXX~~  
~~XXXXXXXXXX~~  
~~XXXXXXXXXX~~

# Product Information

---

Voltage	230V, 50/60Hz	Backlight	Colour
Load Current	16A Max	Sensor	NTC3950, 10Kohms at 25°C
Temp. Setting Range	5~80°C	Accuracy	± 0.5°C
Ambient	0~50°C	Protection Class	IP30
Relative Humidity	85%	Housing	ABS to UL94-5 fire retardant plastic

---

## Aftercare

Clean any marks with a soft dry or damp cloth, for stubborn stains please clean with mild soapy water and dry with a soft cloth. DO NOT use abrasive or acidic cleaners, if you are unsure, please contact us first.

---

## Your Guarantee

- This product is covered by a 2 year guarantee.
  - The guarantee starts from the date of purchase.
  - The guarantee covers you against issues caused as a result of manufacturing related issues, it does not apply to issues that are found to be a result of poor installation.
  - Labour costs for installation of the product are not covered under this warranty.
- 

## Recycling and Disposal

Please recycle the packaging in accordance with your local government regulations on waste handling, and follow the same advice at the end of the products life. Do not recycle the element in your general waste.

Product - ABS.

Packaging - Cardboard.

## Contact us

Unit 1 & 2 Dawson Ct

Burnley

Lancashire

BB11 5UB