



Electric Insert Fire Installation & Safety Information

Installation Guide

Contents

Intended Use & safety Information **Page 2**

General Information **Page 2**

Installation **Page 3**

Operation Instructions **Page 3**

Remote Operating Instructions **Page 4**

Display **Page 5**

Settings **Page 5**

Maintenance **Page 6**

Technical Specifications **Page 6**

ERP Requirements **Page 7**

Your Guarantee **Page 8**

Aftercare **Page 8**

Recycling and Disposal **Page 8**

Contact us **Page 8**



Intended Use & safety Information

Please read carefully...

When using this appliance, basic precautions should be followed to reduce the risk of fire, electric shock, and injury to person, including the following:

This heater must be used on an AC supply only and the voltage marked on the heater must correspond to the supply voltage.

Do not switch the appliance on until it properly installed as described in this manual.

The heater must not be located immediately below a socket outlet.

Do not leave unattended when plug in to the mains supply.

This heater is not intended for use by children. Never leave unsupervised children when the heater is switched on or unguarded.

Only use the appliance for domestic purposes and in the way indicated in these instructions.

From time to time check the cord for damages. Never use the appliance if the cord or any part of the appliance shows any signs of damage.

If the supply cord is damaged, it must be replaced by the manufacturer, its service agent or similarly qualified persons in order to avoid a hazard.

WARNING: In order to avoid overheating, do not cover or obstruct the heater in any way.

Do not use this heater in the immediate surroundings of a bath, a shower or a swimming pool.

Make sure the connection cord does not touch any hot surfaces.

Keep the appliance at least 100cm (1.0m) from walls and any other combustible materials.

Do not use the appliance outdoors

Never move the appliance by pulling the cord.

Before cleaning the appliance, make sure it is unplugged from the mains and that it is completely cool

Do not clean the appliance with abrasive or chemicals.

Never use accessories that are not recommended or supplied by the manufacturer.

Never route the mains cable beneath carpet.

Never use aerosols or similar close to the heater.

Never use the heater to dry clothes or any other similar items.

In order to avoid a hazard due to inadvertent resetting of the thermal cut cut-out, this appliance must not be supplied through an external switching device, such as a timer, or connected to a circuit that is regularly switched on and off by utility.

This heater must not be used with an extension lead.

Do not use this heater with a programmer, timer or any other device that switches the heater on automatically, since a fire risk exists if the heater is covered or positioned incorrectly.

Children should be supervised to ensure that they do not play with the appliance.

This appliance can be used by children aged from 8 years and above and persons with reduced physical, sensory or mental capabilities or lack of experience or knowledge if they have been given supervision or instruction concerning use of the appliance in a safe way and understand the hazards involved.

Cleaning and user maintenance shall not be made by children without supervision.

Children of less than 3 years should be kept away unless continuously supervised.

Children aged from 3 years and less than 8 years shall only switch on/off the appliance provided that it has been placed or installed in its intended normal operating position and they have been given supervision or instruction concerning use of the appliance in a safe way and understand the hazards involved. Children aged from 3 years and less than 8 years shall not plug in, regulate and clean the appliance or perform user maintenance.

WARNING: This heater is not equipped with a device to control the room temperature. Do not use this heater in small rooms when they are occupied by persons not capable of leaving the room on their own, unless constant supervision is provided.

CAUTION- Some parts of this product can become very hot and cause burns. Particular attention has to be given where children and vulnerable people are present.

The heater shall not be located in front of a socket-outlet.

Use this heater on a horizontal and stable surface, or fix it to the wall, as applicable.

WARNING: To reduce the risk of fire, keep textiles, curtains, or any other flammable material a minimum distance of 1 m from the air outlet.

General Information

Do not throw away packaging until you have located and confirmed that you have all included parts and the product is in good condition.

This Heater has no serviceable parts, never dismantle the heter as this will invalidate the warranty and could lead to injury.

Please read the full manual before installing.

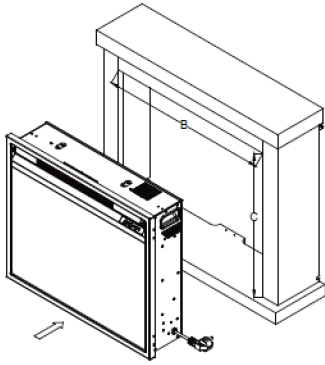
The fixings supplied with this products are for solid brick walls, if installing on any other surface please purchase suitable fixings for the surface type and ensure that the product is fixed securely before operation.

Contents

Heater
Fixing bracket and screws
Remote control
Instruction Manual.

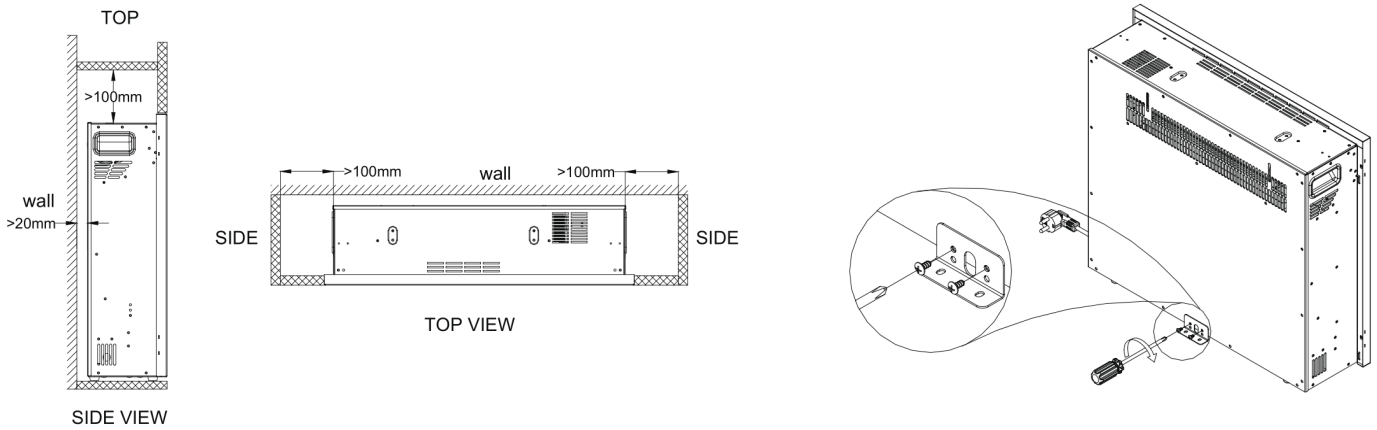
Installation:

Do not connect the appliance until the instructions are read carefully and the heater properly and securely installation. Make sure the opening dimensions of surround are at least width B and height C.



| Model | B | C |
|----------------|-------|-------|
| EFINS584503BLA | 559mm | 493mm |
| EFINS914458BLA | 889mm | 448mm |

Make sure the distance from the rear of heater to the wall is at least 20mm. Make sure the distances from the left, right and top of heater to the wall are at least 100mm. Inset the heater carefully into the opening of surround. Fix the heater securely on the hearth using the supplied bracket and screws (see Fig.1 in circle)



Operating Instructions:

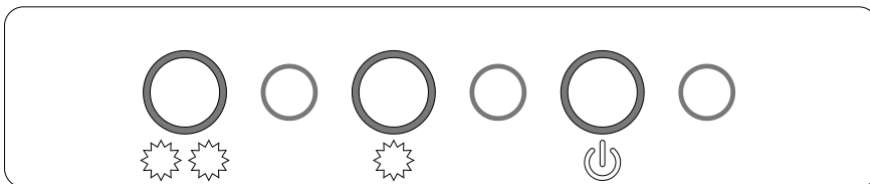
Switching ON/OFF

Use the ON/OFF switch to power on the heater (standby mode).

In standby mode, the heater can be operated either manually by the switches located on the front and right hand side of heater or by the supplied remote control.

Manual Operation

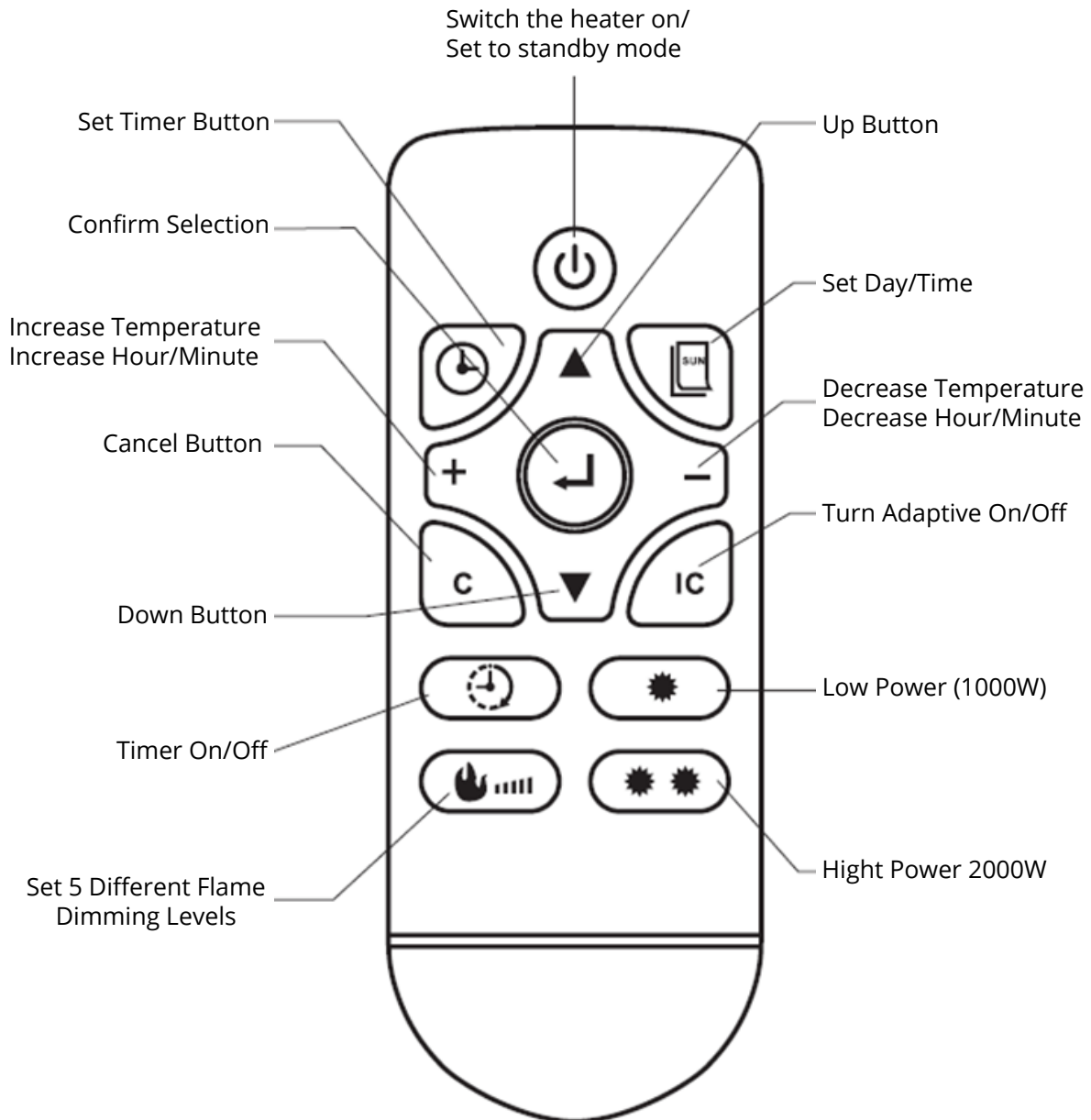
NOTE: The heater will only work if the set temperature is higher than the ambient room temperature.



| | | |
|--|--|---|
| | | Heater powered off |
| | | Heater powered on, set to standby mode |
| | | Press to switch the flame effect ON/OFF Press and hold to toggle between 5 different flame dimmer levels |
| | | Press to activate low level heating (1000W) Press and hold to decrease the temperature |
| | | Press to activate high level heating (2000W) Press and hold to increase the temperature |

Remote Operating Instructions:

NOTE: The heater should be powered on using the ON/OFF switch before it can be operated using remote control.



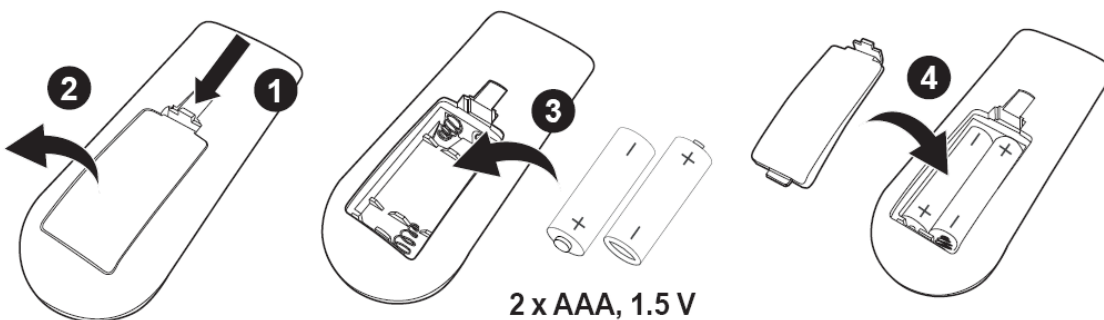
The remote control requires 2xAAA size batteries (Not included).

Open the battery compartment by sliding the cover down and insert the batteries noting the polarity indicated in the battery compartment.

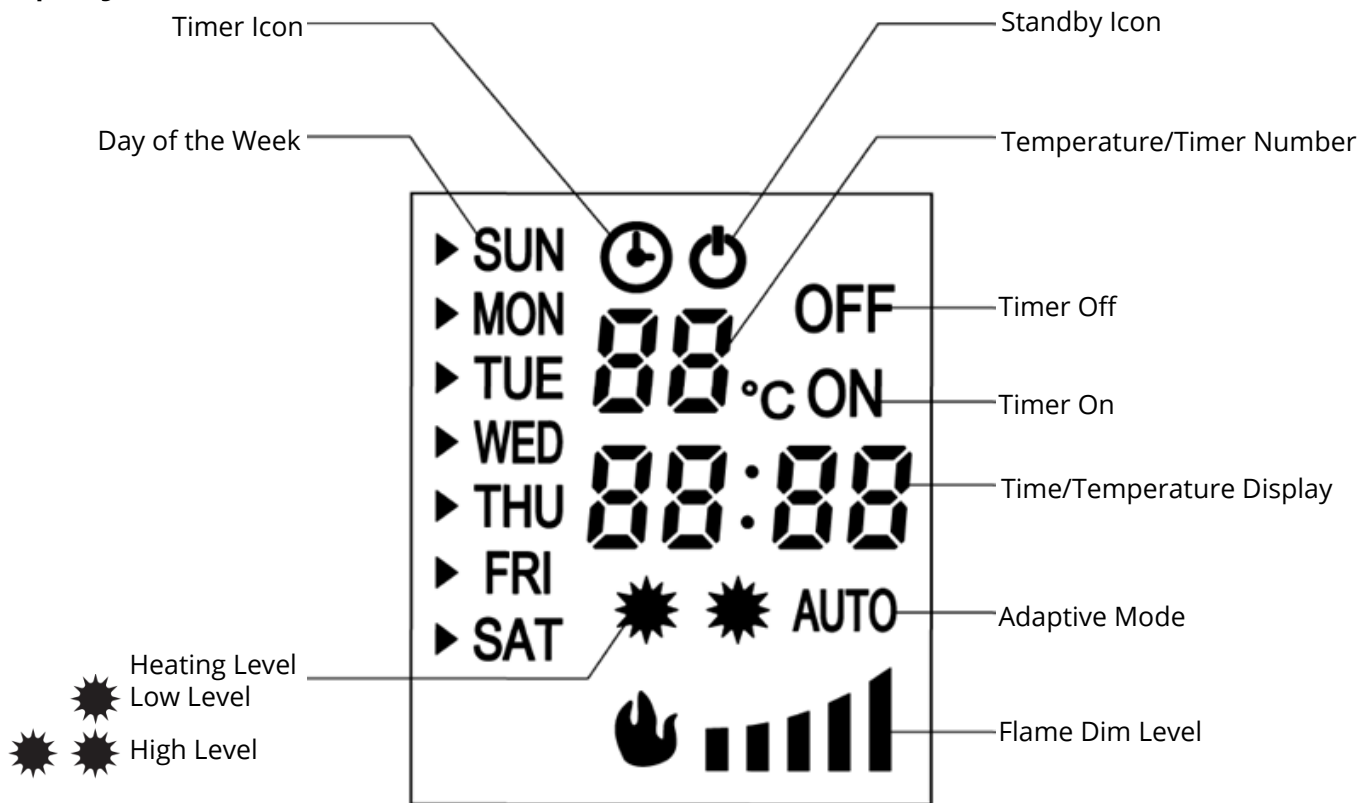
Keep batteries out of reach of children.

Remote control operations are identical to the functions on the control panel.

The remote control must be point directly at the sensor on control pad.



Display:



Settings:

Setting weekday and time:

Press the Set Day/Time Set button. When the day is flashing press the up or down button to select the day.

Press the Set Day/Time Set button again, then press the + or - button to set the hour.

Press the Set Day/Time Set button again, then press the + or - button to set the minute.

Press the Set Dy/Time Time button.

Setting the temperature:

NOTE: This setting is only applicable for the temperature in standard heating mode, not for the temperature in the timer mode. The default set temperature is 20°C.

NOTE: The heater only starts working when the set temperature is higher than the room temperature.

Press the + or - button to set the temperature, which ranges from 15 to 30°C.

After the temperature setting has been completed, the display flashes for 5 seconds, then shows the room temperature.

Setting the timer:

Up to 10 different timer settings can be programmed. Each timer setting has a day, power-on time and power-off time.

The maximum duration of each timer setting is 23 hours 50 minutes. If the power-off time of the timer setting falls on the following day, it is unnecessary to set the day-just set the power-off time.

Press the set timer button, the timer number will start flashing.

Press the + or - button to select a the time required - 01-10.

Press the set timer button, the cursor on the left side of the day will begin to flash.

Press the up/down buttons to move the cursor to the corresponding day. Press the + button to add a corresponding day, or press the - button to delete a day.

Press the set timer button to set the on time. The hour digit will start to flash.

Press the + or - button to set the hour.

Press the set timer button. The minute digit will start to flash.

Press the + or - button to set the minute.

Press the set timer button to set the off time. The hour digit will start to flash.

Press the + or - button to set the hour.

Press the set timer button. The minute digit will start to flash.

Press the + or - button to set the minute.

Press the set timer button. The temperature digit will start to flash.

Press the + or - button to set the temperature.

Press the set timer button to continue with the timer setting or press the confirm settings button to confirm the setting.

Viewing the timer setting:

Press the set timer button.

Press the + or - Button to check the power-on time of the set timers one by one.

To check the power-off time, press the up button.

Press the + or - button to check the power-off time of the set timers one by one.

To delete selected setting, press the Cancel button.

Activating timer:

Press the timer on/off to activate the timer function.

NOTE: When the timer is active, the heating level must be manually selected. If the heater function is not selected; only the flame effect will be activated at the set power-on time.

Adaptive operation:

The 24 hours of a day is divided into two periods: low-power mode and comfort mode.

The set temperature decreases by 4°C during the low-power mode period, while the set temperature remains unchanged during comfort mode.

The initial low-power mode period is set from 8:00 to 17:00.

The adaptive function is initially turned off.

The function only affects the set temperature during heating operation and does not alter any other functions.

Turn On/Off:

Press the Adaptive on/off button to enter adaptive mode, the LED display shows the AUTO icon. Press again to exit adaptive mode, the AUTO icon will go off.

Set the on time of low-power mode period:

Press the down button, the On icon will be displayed, and enter the on time setting. The hour digit will start to flash.

Press the "+" or "-" button to adjust the hour. Increases or decreases by 1 hour for each time.

Press the down button again, the minute digit will start to flash.

Press the "+" or "-" buttons to adjust the minute. Increases or decreases by 10 minutes for each time.

Press the down button or Confirm Settings Button to complete the setting.

Set the off time of low-power mode period:

Press the up button, the OFF icon will be displayed, and enter the off time setting. The hour digit will start to flash. Press the "+" or "-" button to adjust the hour. Increases or decreases by 1 hour for each time. Press the UP button again, the minute digit will start to flash. Press the "+" or "-" buttons to adjust the minute. Increases or decreases by 10 minutes for each time. Press the UP button or Confirm Settings Button to complete the setting.

If the off time is earlier than the on time, the off time will be on the next day.

If the on time and off time are same, there is no low-power mode period, but the turn on/off function remains effective.

Maintenance

WARNING: Before any maintenance and/or cleaning the exterior of the heater, disconnect the heater from the power supply and leave heater cooled off.

The heater uses an electronically controlled LED system to create the flame effect therefore no parts need to be replaced.

Under no circumstances should the heater be serviced by anyone other than a qualified electrician.

Safety Cut-out:

This heater is fitted with a safety cut-out which will operate if the heater overheats (e.g. due to blocked air vents). For safety reasons, the heater will NOT automatically reset. To reset the heater, disconnect the heater from the mains supply for at least 15 minutes. Reconnect the supply to the mains and switch on the heater.

Care and Cleaning:

Always disconnect the heater from mains supply and allow cooling before any cleaning is carried out.

Trim parts may be cleaned using a clean, damp cloth. Never use abrasive cleaners and chemical agents as this may damage the finish.

Technical Specification

| Model | Low Power | High Power | Voltage | Hz | Electrical Class |
|----------------|-----------|------------|------------|----|------------------|
| EFINS584503BLA | 1000W | 2000W | 220-240VAC | 50 | Class I |
| EFINS914458BLA | 1000W | 2000W | | | |

CONFORMITY WITH DIRECTIVES

This product is CE marked to denote conformity with Directives 2014/35/EU (Low Voltage) and the EMC directive (2014/30/EU), as amended.

ERP Requirements

| Contact | LDG, Unit 1 & 2 Dawson Court, Burnley, BB115UB | | | | |
|---|--|-------|------|--|------|
| Models | EFINS584503BLA, EFINS914458BLA | | | | |
| Item | Symbol | Value | Unit | Item | Unit |
| Heat output | | | | Type of heat output / room temperature control (select one) | |
| Nominal heat output | P _{nom} | 2 | kW | single stage heat output and no room temperature control | No |
| Minimum heat output (indicative) | P _{min} | 1 | kW | two or more manual stages, no room temperature control | No |
| Maximum continuous heat output | P _{max,c} | 2 | kW | with mechanic thermostat room temperature control | No |
| Power consumption | | | | with electronic room temperature control | No |
| In off mode | P _o | 0 | kW | electronic room temperature control plus day timer | No |
| In standby mode | P _{sm} | 0.43 | kW | electronic room temperature control plus week timer | Yes |
| In idle mode | P _{idle} | N/A | kW | Other control options (multiple selections possible) | |
| In network standby | P _{nsm} | N/A | kW | room temperature control, with presence detection | No |
| Standby mode with display of information or status | | | Yes | room temperature control, with open window detection | No |
| Seasonal space heating energy efficiency in active mode | η _{S,on} | 92 | % | distance control option | No |
| | | | | adaptive start control | Yes |
| | | | | working time limitation | No |
| | | | | black bulb sensor | No |
| | | | | self-learning functionality | No |
| | | | | control accuracy | No |



**Do not Cover
Risk of overheating**



Your Guarantee

To find the specific guarantee for your products please refer to the website.

The guarantee starts from the date of purchase.

The guarantee covers you against issues caused as a result of manufacturing related issues, it does not apply to issues that are found to be a result of poor installation.

Labour costs for installation of the products are not covered under this warranty.

Aftercare

Clean any marks with a soft, dry or damp cloth, for stubborn stains please clean with mild soapy water and dry with a soft cloth. DO NOT use abrasive or acidic cleaners.

If you are unsure, please contact us first.

Recycling and Disposal

The **Waste Electrical and Electronic Equipment Directive (WEEE Directive)** is the **European Community directive 2012/19/EU on Waste Electrical and Electronic Equipment (WEEE)** which, together with the **RoHS Directive 2002/95/EC**, became European Law in February 2003.

The WEEE directive aims to reduce the amount of electrical equipment being produced and to encourage everyone to reuse, recycle and recover it.

In support of these guidelines and for environmental safety, do not dispose of any electrical equipment including those marked with the below symbols.

When replacing old electrical devices with new ones the retailer is legally obligated to take back your old items for disposal free of charge. You can also recycle your old electrical devices free of charge at your local recycling center. Please contact your local council for more information.

Please recycle the packaging in accordance with your local government regulations on waste handling and follow the same advice at the end of the products life.

Product - Steel.

Packaging - Cardboard, plastic.

Contact us

Unit 1 & 2 Dawson Ct

Burnley

Lancashire

BB11 5UB

