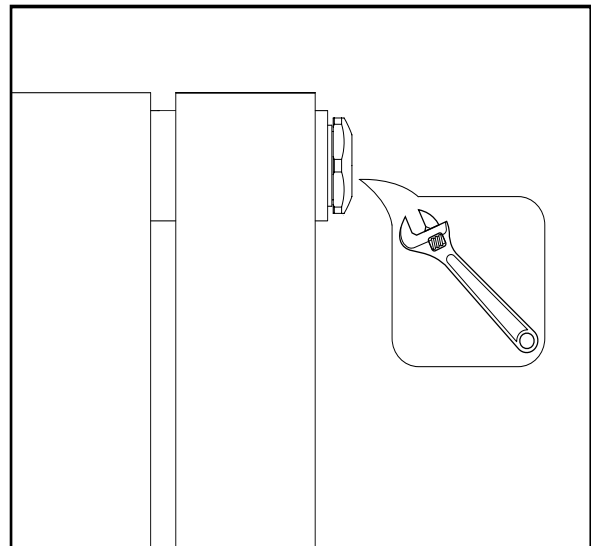
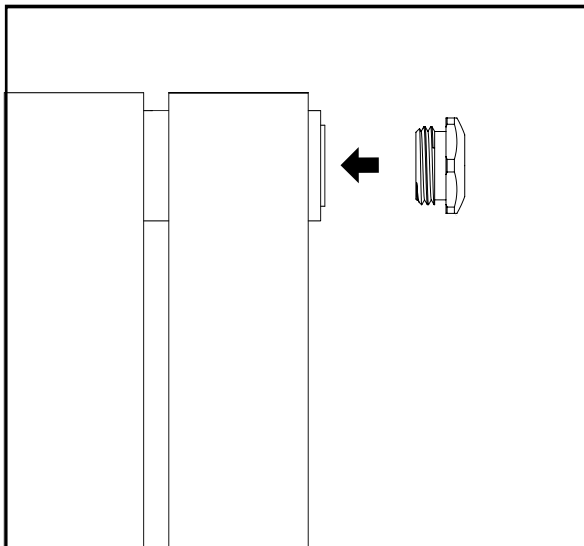
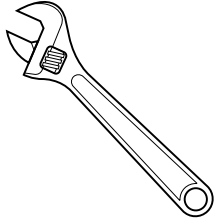


Bleed Valve & Blanking Plug Installation Guide

Tools required for installing:



Please take care not to over tighten the bleed valve and blanking plug as this may damage the thread and/or the rubber O ring.

If you require any additional information or have any issues with this product please refer to the website.
